

## ■ Features

- Constant current design, support DALI and Push dimming
- Wide input voltage range, high power factor
- Small and compact Size
- Protections: over-voltage/short circuit /overload
- No load power consumption <math>< 0.5W @ 220Vac</math>
- Dimming depth 5%-100%
- Low cost, high reliability, isolated design
- 5 years warranty



## ■ Applications

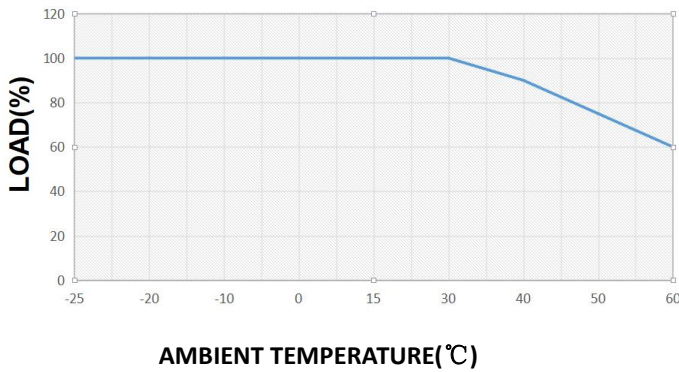
- Suitable for external power supply of lamps within 20W



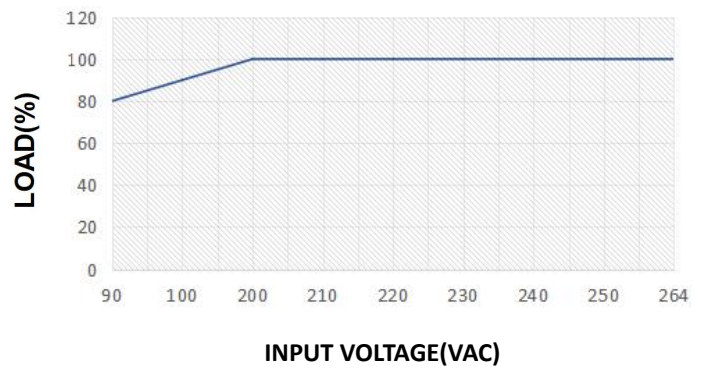
## ■ Specifications and models

MODEL		HZD020CFX		
OUTPUT	DC VOLTAGE	18-36V	36-42V	
	RATED CURRENT	450MA	400MA	
	FLOATING VOLTAGE	48V	48V	
	ACCURACY OF CURRENT	±5%		
	HOLD UP TIME	500ms&220Vac at full load		
INPUT	VOLTAGE RANGE & FREQUENCY RANGE	90-265Vac 50-60Hz		
	POWER FACTOR	>0.9&220Vac		
	EFFICIENCY&220Vac	86%	86%	
ENVIRONMENT	WORKING TEMP AND HUMIDITY	-25~+60℃ 0~40% RH		
	STORAGE TEMP ANG HUMIDITY	-40~+80℃ 10~60% RH		
SAFETY&EMC	SAFETY STANDARDS	EN61347-2-13:2014+A1:2017;EN61347-1:2015+A1:2021; EN IEC60598-1:2021; EN62493:2015		
	EMC STANDARDS	EN IEC 55015:2019+A11:2020 ; EN IEC61000-3-2:2019;EN 61000-3-3:2013+A1:2019 EN61547:2009		
OTHERS	DIMENSION	100*43*21mm (L*W*H)		
	PACKING	73g		

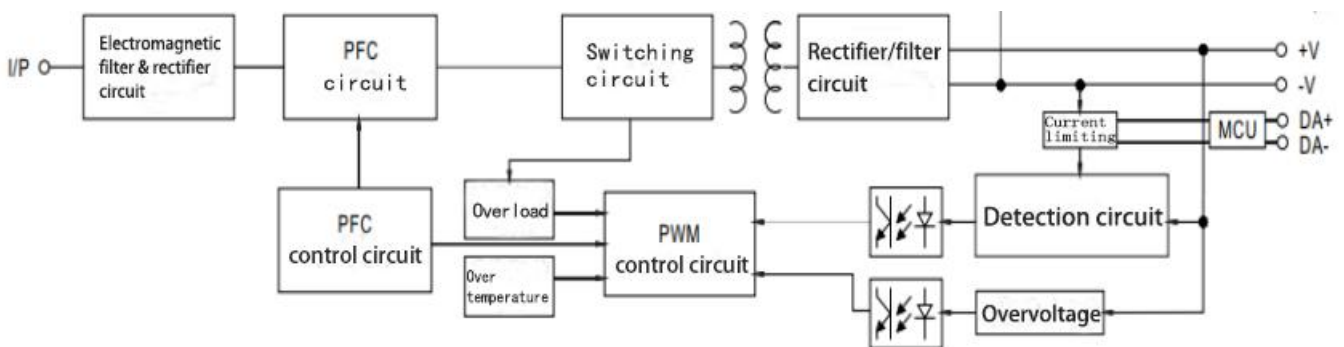
## Derating Curve



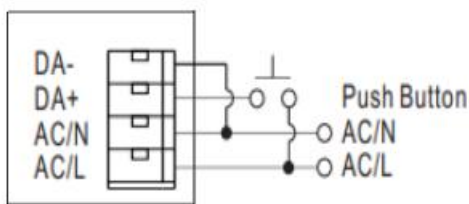
## Static Character



## Block Diagram



## Dimming operation



※Press dimming (primary side)

serial number	Function	Operation	Explain
1	The electric memory	power on	When the LED driver is powered on, it will restore the memory before the LED driver is powered off. If the LED driver is turned off before power off, then power on it. After the lamp is still turned off, if the LED driver is powered off before 50% brightness, it automatically restores to 50% brightness (after power-on Degree memory after the last dimming stability of the brightness, the brightness of the dimming process Do not do memory), after powering on the first long dimming direction for dimming.
			If the light is originally on, the light will be off after

**Single channel output LED driver power supply**

**HZD020CFXseries**

2	Turn on / Off lights	Short press 50ms-600 ms	a short press;If the lamp is off originally, the light will turn on after a short press, and the illuminance at this time is the illumination before turning off the lamp (illumination memory function).
3	Dimming	Long press 1 s to 3 s	Hold down the reset switch for a long time, and the lamp will enter the dimming state. If it was dimming for the previous time, it will automatically turn to dimming for the next time. After releasing the reset button, the dimming will stop and maintain the current illumination.Dimming range 5%-100%.The default value is On for the first power-on duration. If the power-on brightness is the maximum, the value is dimmed for the first duration.
4	Synchronize all lights	Long press 10 s	If all the lights connected to the same SwitchDIM system are switched on or their brightness is inconsistent, hold down for 10s to turn all the lights on with the same brightness (50%), and hold down the next time to dim the dimming direction.
5	Change the gradient time	Long press 20 s	The gradient time affects the dimming speed, and the smaller the gradient time, the faster the dimming speed.The default dimming gradient time is 3s. When you hold down for 20s, change the dimming gradient time to 6s, and output 100% brightness (when you hold down for 10s, all lights will be synchronized and turn on 50%). When the send button is pressed again for 20s, the gradient time is changed to 3S;If you do not release the button, keep the brightness at 100%.
6	Reset to factory Settingsbuy	Long press 10 s Four times	Press for 10s four times, with an interval of no more than 2s.Restore the gradient time, switch state, brightness, control mode, etc., to factory Settings.

※DALI interface (primary side)

- DALI signal is applied between DA+ and DA-.
- DALI signals support IEC62386-102 protocol instructions.
- The first step is to fix it at 5% of output.

■ **Mechanical Specification**

