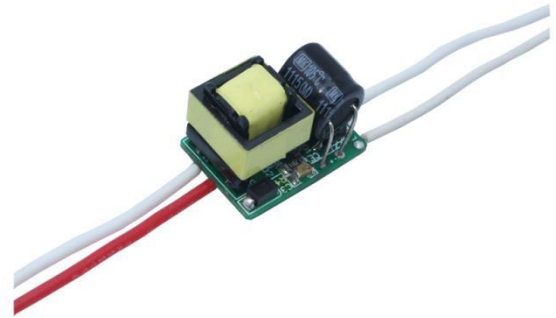


■ Features

- Constant current design
- Wide input voltage range
- Small and compact size
- Protections:over-voltage/short circuit /overload
- No load power consumption<0.09W@220Vac
- 100% full load burn-in test
- Low cost,high reliability,isolated design
- 2 years warranty



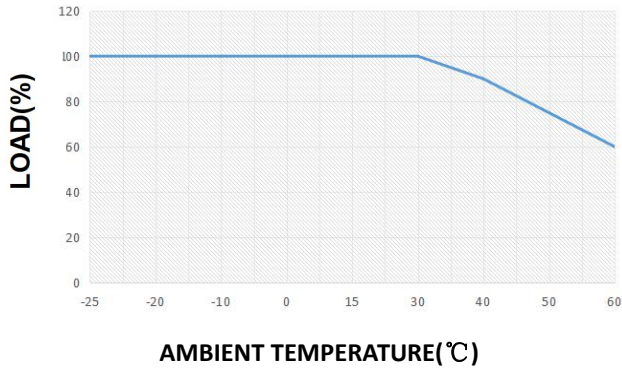
■ Applications

- Suitable for all kinds of low power LED lamps
- A housing can also be added as an external driver for decorative lighting

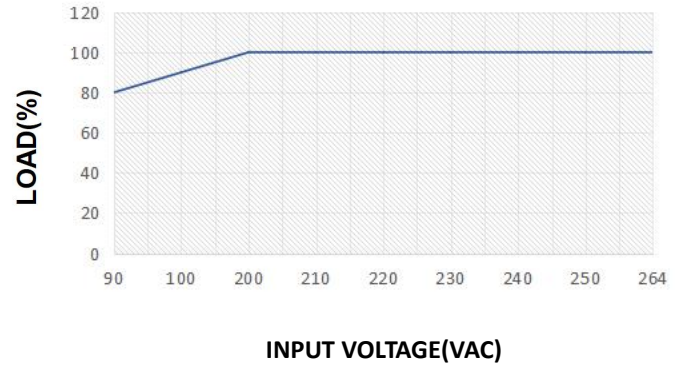
■ specifications and models

MODEL		HAD005BXI-A		
OUTPUT	DC VOLTAGE	3-6V	7-9V	9-15V
	RATED CURRENT	650MA	500MA	300MA
	ACCURACY OF CURRENT	±5%		
	HOLD UP TIME	300ms&220V at full load		
INPUT	VOLTAGE RANGE	90-265Vac		
	FREQUENCY RANGE	47-63Hz		
	EFFICIENCY&220Vac	78%	82%	85%
OTHERS	DIMENSION	25*17*16mm (L*W*H)		
	PACKING	10g		

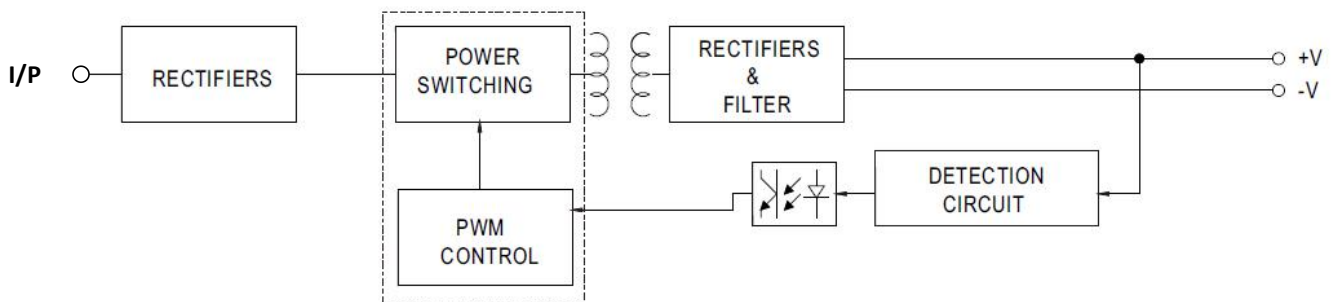
Derating Curve



Static Character



Block Diagram



Mechanical Specification

